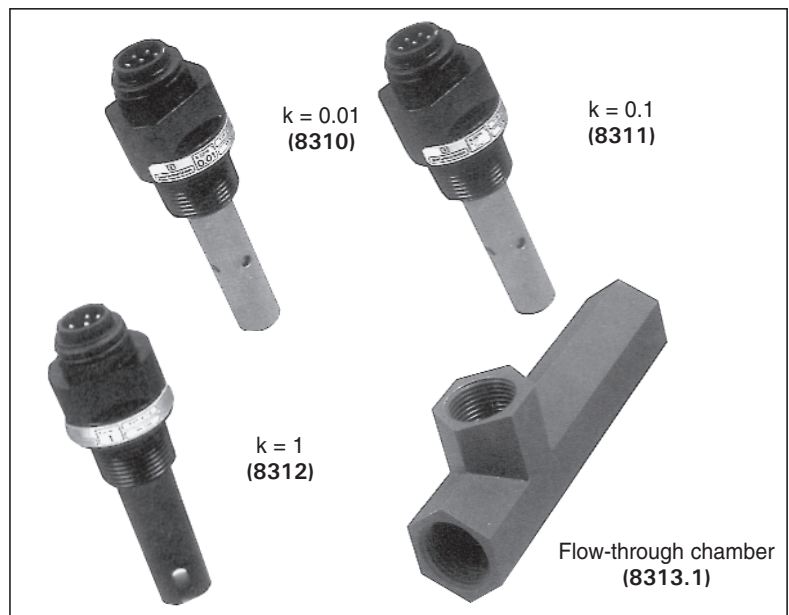


# Conductivity / Resistivity probes with two electrodes

## Models 8310, 8311, 8312



### Applications

- Drinking water and wastewater treatment
- Chemical processes
- Demineralized and softened water

### Advantages

- Mechanical and chemical strength,
- IP65 protection of connector,
- Small and compact sensor,
- Wide measuring range,
- Accuracy tests according to ISO 7888 and ASTM D 1125,
- Quick response time,
- Built-in temperature sensor (Pt 100).

## Polymetron SA International Headquarters

33, rue du Ballon  
93165 Noisy-le-Grand cedex  
France  
Tel : (33) 1 48 15 80 80  
Fax : (33) 1 48 15 80 00  
info@polymetron.com

### Belgium

Lange Group  
Ragheno Business Center 2  
Motstraat 54  
B-2800 Mechelen  
Tel. : (32) 15 42 35 00  
Fax : (32) 15 41 61 20

### Netherlands

Lange Group  
Laan van Westroijen 2a  
NL-4003 AZ Tiel  
Tel. : (31) 344 63 11 30  
Fax : (31) 344 63 11 50

### Spain

Lange Group  
Dr Bruno Lange GmbH  
& Co. KG  
Prozeß-Meßgeräte /  
Polymetron  
Willstätterstrasse 11  
D-40549 Düsseldorf  
Tel. : +49 211-5288 156  
Fax : +49 211 5288 171

### United Kingdom

Dr Lange UK  
Lennox Rd  
Basingstoke, Hampshire  
RG22 4AP  
Tel. : (44) 1 256 33 3403  
Fax : (44) 1 256 633 0724

### India

Forbes  
A 34/35, MIDC Estate  
"H" Block  
Pimpri, Pune 411 018  
Tel. : (91) 212-770-171  
Fax : (91) 212-777-049

### USA

Astro / Polymetron  
Associated with Hach Co.  
P.O. Box 389  
Loveland, Colorado  
USA 80539-0389  
Tel. : (1) 800 227 2648  
Fax : (1) 970 461 3920

### Italy

Dr Bruno Lange srl  
Via Riccione, 14  
20156 Milano MI  
Tel. : (39) 02 39 23 14 1  
Fax : (39) 02 39 23 14 39

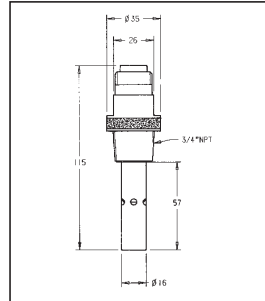
www.water-analyzers.com

This publication is not intended to form the basis of a contract and the company reserves the right to amend the design and specifications of the instruments without notice.

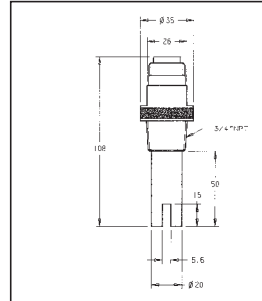
TE 8310=A=100 - Rev. D - FR. 50622048726



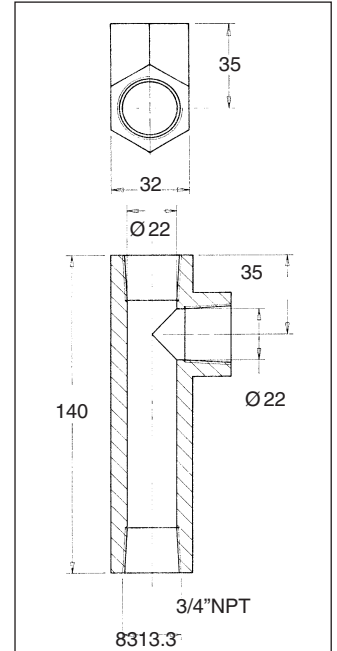
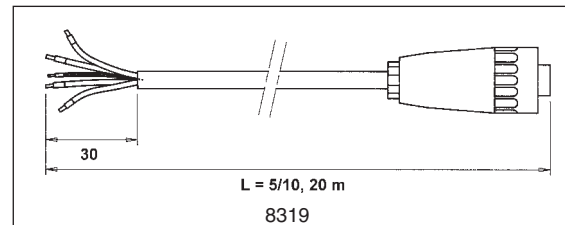
## Specifications



8310 (k = 0.01) - 8311 (k = 0.1)



8312 (k = 1)



Model	8310 / 8311	8312
Part number	08310=A=0000 - 08311=A=0000	08312=A=0000
Sample :	125°C at 10 bar	
T. Max	10 bar at 125°C	
P. Max	in 3/4" NPT threading	
Mounting		
Material		
Body (upper part)	black PSU	black PSU
Internal electrode*	SSt 316L	Graphite
External electrode*	SSt 316L	Graphite
Insulator*	PSU	PSU
Connector	Glass Polyester / IP65	Glass Polyester / IP65

\* Part in contact with fluid

### • Measuring range

Cell constant (k)	9125 transmitter	8920/8964/8964 transmitters
0,01 cm	0.01µS/cm-200µS/cm	0.01µS/cm-100µS/cm
0.1 cm	0.1µS/cm-2mS/cm	0.1µS/cm-1mS/cm
1 cm	1µS/cm-20mS/cm	1µS/cm-10mS/cm

Delivered with test certificate indicating the real value of the cell constant.

### • Accessories

- Cables

Model	length	part number
8319.5	5 m/16 ft	08319=A=0005
8319.10	10 m/33 ft	08319=A=0015
8319.20	20 m/66 ft	08319=A=0020

- Flow-through chamber

Part number : 08313=A=0001

Tmax. = 60°C, 2 bar (140°F, 29 psi)- Pmax. = 10 bar at 25°C (217.5 psi at 77°F)

Connections: 3/4" NPT - threading Material: PVC

### Hach Ultra Analytics china

sales@water-analyzers.com

tel. ++86 519 85115301

fax ++86 519 85121958