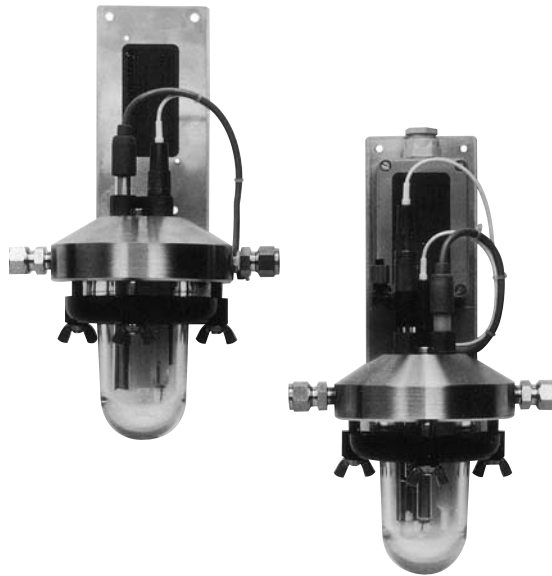


pH/ORP flow-through probe

Models 8360/8360.1/8360.1P



Applications

- Boiler feedwater in power generation plants
- Condensate return in power generation plants
- Demineralized water, deionized water systems
- Semiconductor manufacturing
- Pharmaceutical industry

Features

- Heavy-duty industrial probe for use in difficult applications
- The probe may be equipped with gold or platinum electrodes to monitor ORP, or with glass electrode, reference electrode and temperature compensator to measure the pH solution
- The probe may be pressurized with instrument air or with a simple hand pump (retrofit is possible)
- Electrodes are always visible, simple to remove, exchange and calibrate.
- The probe's sample cup remains filled with sample solution at all times thus ensuring wetted, active electrodes throughout the operation.

data sheet

Product list

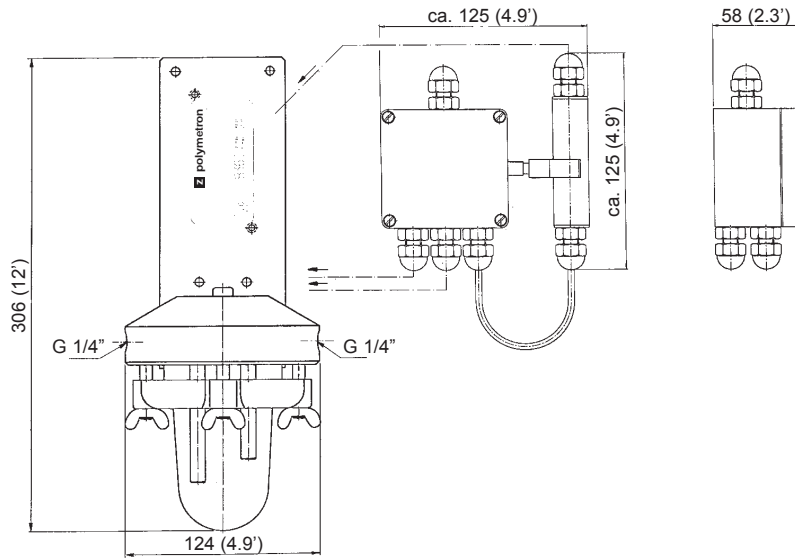
The flow-through probes, Models 8360, 8360.1 and 8360.1P, are normally delivered equipped with a pipe fitting 1/4" G suitable for connecting a 10 x 1-mm Ø SS pipe.

Item	Model	Item No.	Drawing
Flow-through probe with preamplifier and cable coupling box	8360.1P	368 360,10010	1
Flow-through probe for direct connection to the transmitter via cable	8360	368 360,00000	2
Flow-through probe with high-impedance coupling box	8360.1	368 360,10000	3
Pipe-fitting set, Swagelok 10-mm Ø	-	359 093,40000	4 (2 fitting per set)
Pressurizing the Electrolyte Reservoir			
Electrolyte reservoir, consisting of:	8538.5	363 633,10000	5
<ul style="list-style-type: none"> • Reservoir • Quick-connect plug • Quick-connect jack • 2 brackets 			
Pressure gauge with adaptor for hand pump	8538.1	359 026,10000	6
Electrodes			
Glass electrode with impedance membrane	8402-B	368 402,00000	
Standard glass electrode	8404-B	368 404,00000	
Standard reference electrode	8444-B	368 444,00000	
Xerolyt reference electrode with solid electrolyte	8483-B	368 483,00000	
Electrolyte bridge	8429.1	363 629,84291	7
Reference electrode for electrolyte bridge	8429-B	368 429,00000	8
High-impedance glass electrode for electrolyte bridge	8409-B	368 409,00000	9
Preamplifier (addition to position 13 and probe 8360.1P)	8663	368 663,00000	
Platinum electrode	8430-B	368 430,00000	
Pt 100 temperature sensor, including 3-m cable (10 ft)	8495-K	368 495,00000	
Standard Accessories			
<ul style="list-style-type: none"> • 1 instruction manual in German, French or English (please specify) • 1 syringe for injection of butter solution 			
Accessories			
For 8360.1P: Cable, shielded, 6 conductors, to connect coupling box 8360.1P with transmitters 8930, 9135	2666	370=506=025	
For 8360:			
Electrode cable for glass electrode, 3-m length (10 ft)	110	359 016,10110	
Electrode cable for glass electrode, 10-m length (33 ft)	120	359 016,10120	
Electrode cable for glass electrode, 20-m length (66 ft)	122	359 016,10122	
Electrode cable for glass electrode, 3-m length (10 ft)	140	359 016,10140	
Electrode cable for glass electrode, 10-m length (33 ft)	141	359 016,10141	
Electrode cable for glass electrode, 20-m length (66 ft)	142	359 016,10142	
For 8360.1:			
Cable, shielded, coaxial, with 4 additional conductors	2654	358 048,00000	
Buffer solution pH 4.00, 500 ml		363 130,00500	
Buffer solution pH 6.88, 500 ml		363 131,00500	
Buffer solution pH 9.22, 500 ml		363 132,00500	
Reference electrolyte KCl, 500 ml		363 140,00500	
Weatherproof enclosure	-	368 360,50000	10
Spares			
Set of seals, consisting of:	-	363 700,83601	
<ul style="list-style-type: none"> • 2 washers • 4 O-rings • 2 blank plugs 			

Dimensions in mm (in)

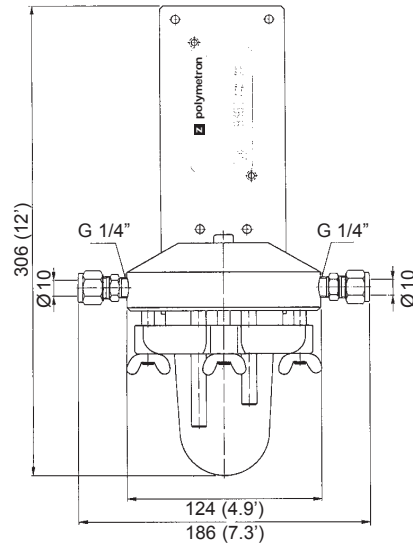
8360.1P

1



8360

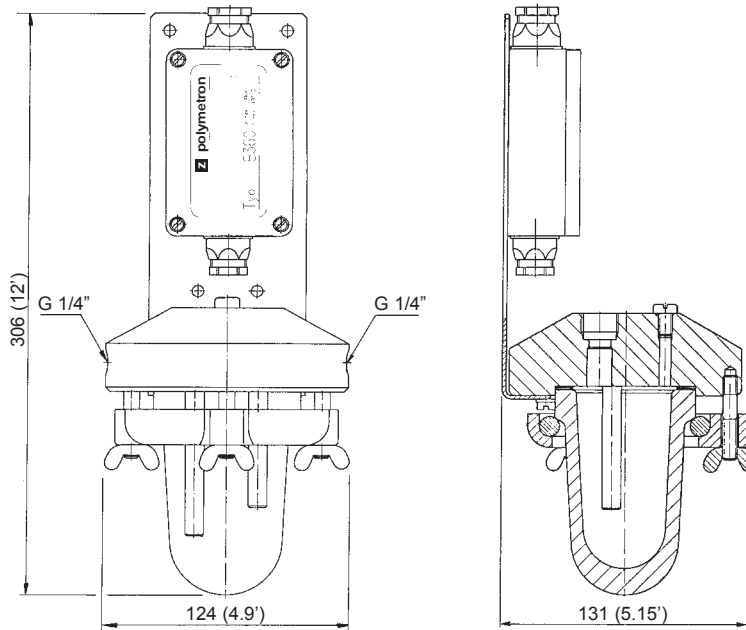
2



4

8360.1

3



**Polymetron SA
International Headquarters**

33, rue du Ballon
93165 Noisy-le-Grand cedex
France
Tel : (33) 1 48 15 80 80
Fax : (33) 1 48 15 80 00
info@polymetron.com

Belgium

Lange Group
Ragheno Business Center 2
Molstraat 54
B-2800 Mechelen
Tel. : (32) 15 42 35 00
Fax : (32) 15 41 61 20

Germany

Dr Bruno Lange GmbH
& Co. KG
Prozeß-Meßgeräte /
Polymetron
Willstätterstrasse 11
D-40549 Düsseldorf
Tel. : +49 211-5288 156
Fax : +49 211 5288 171

India

Forbes
A 34/35, MIDC Estate
"H" Block
Pimpri, Pune 411 018
Tel : (91) 212-770-171
Fax : (91) 212-777-049

Italy

Dr Bruno Lange srl
Via Riccione, 14
20156 Milano MI
Tel. : (39) 02 39 23 14 1
Fax : (39) 02 39 23 14 39

Netherlands

Lange Group
Laan van Westroijen 2a
NL-4003 AZ Tiel
Tel. : (31) 344 63 11 30
Fax : (31) 344 63 11 50

Spain

Neurtek M.A.
Lange Group
C/ Araba 45
Apdo. 220
Zarautz 20800
Tel. : (34) 943 89 43 79
Fax : (34) 943 130 241

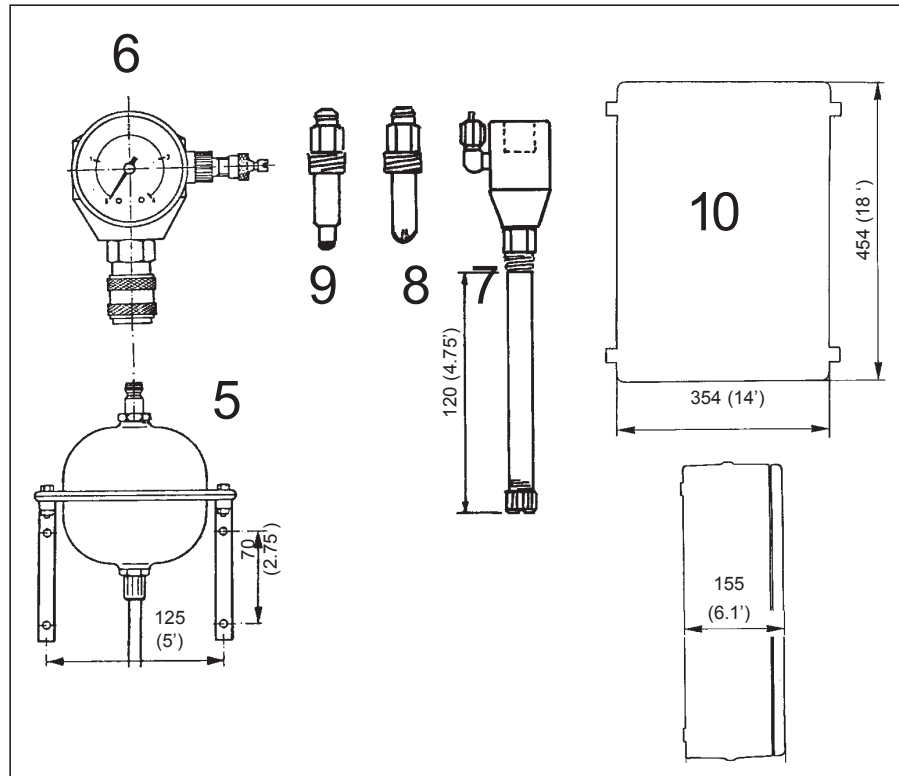
United Kingdom

Dr Lange (UK) Ltd
Lennox Rd
Basingstoke, Hampshire
RG22 4AP
Tel. : (44) 1 256 33 3403
Fax : (44) 1 256 633 0724

USA

Astro / Polymetron
Associated with Hach Co.
P.O. Box 389
Loveland, Colorado
USA 80539-0389
Tel. : (1) 800 227 2648
Fax : (1) 970 461 3920

Specifications



- Sample temperature: -10 to +110°C (14 to 230°F)
- Sample pressure: 4 bar max. within the entire temperature range
- Ambient temperature: -10 to +55°C (14 to 131°F)
- Flow rate: 50 l/hr. max.
- Preassure drop: 0.025 bar at flow of 50 l/hr.
- Volume of the sample cup: 100 ml
- Volume of the reference-electrode reservoir: 0.5 l
- Permissible pressure for electrolyte reservoir: 5 bar max. (72 psi)
- Protective hood: IP54
- Weight: Approx. 3.5 kg (7.7 lbs)

Materials :

- Probe body: 1.4435/1.4436 stainless steel
- Sample cup: Borosilicate glass
- Sample-cup gasket: EPDM
- Electrode seals: Viton®
- Electrolyte reservoir: Grilamide TR 55
- Electrolyte tubing: Polyurethane (not resistant against strong acids)
- Electrolyte-tubing nipples: Polyacetal (Delrin).

Viton® is a registered trademark of E. I. Dupont de Nemours and Co.

This publication is not intended to form the basis of a contract and the company reserves the right to amend the design and specifications of the instruments without notice.

Distributor

TE 8360=A=100 - Rev. D - FR. 50622048726



Hach Ultra Analytics china
sales@water-analyzers.com
tel. ++86 519 85115301
fax ++86 519 85121958