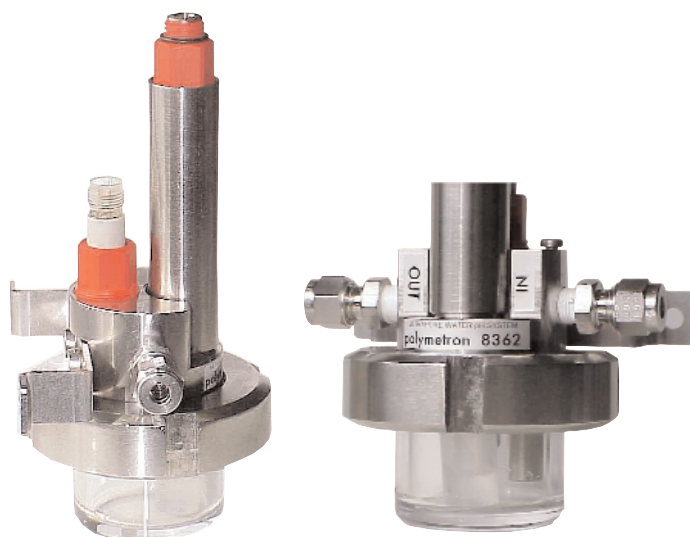


Ultrapure water pH system Model 8362



Applications

- Steam generation (power, other industries) : feedwater, boiler water, condensate recovery
- Pure water treatment systems (any industries) : demineralized water, deionized water

Advantages

- Specially designed for pure water: no retaining areas, minimized junction potential, electrostatic charge and stray current protected;
- Highly accurate : automatic temperature compensation for ultra-pure water applications that meet or exceed ASTM standard;
- Simple universal mounting;
- Minimal maintenance : no filling solution required, sensor visible for preventive maintenance, easily removable if necessary;
- Easy on-line calibration : quick-release sample cup used as calibration vessel.

data sheet

Polymetron SA International Headquarters

33, rue du Ballon
93165 Noisy-le-Grand cedex
France
Tel : (33) 1 48 15 80 80
Fax : (33) 1 48 15 80 00
info@polymetron.com

Belgium

Lange Group bvba
Ragheno Business Center 2
Motstraat 54
B-2800 Mechelen
Tel. : (32) 15 42 35 00
Fax : (32) 15 41 61 20

Netherlands

Lange Group
Laan van Westroijen 2a
NL-4003 AZ Tiel
Tel. : (31) 344 63 11 30
Fax : (31) 344 63 11 50

Spain

Lange Group
C/ Araba 45
Apdo, 220
Zarautz 20800
Tel. : (34) 943 89 43 79
Fax : (34) 943 130 241

Germany

Dr Bruno Lange GmbH
& Co. KG
Prozeß-Meßgeräte /
Polymetron
Willstätterstrasse 11
D-40549 Düsseldorf
Tel. : +49 211-5288 156
Fax : +49 211 5288 171

United Kingdom

Dr Lange (UK) Ltd
Lennox Rd
Basingstoke, Hampshire
RG22 4AP
Tel. : (44) 1 256 33 3403
Fax : (44) 1 256 633 0724

India

Forbes
A 34/35, MIDC Estate
"H" Block
Pimpri, Pune 411 018
Tel : (91) 212-770-171
Fax : (91) 212-777-049

USA

Astro / Polymetron
Associated with Hach Co.
P.O. Box 389
Loveland, Colorado
USA 80539-0389
Tel. : (1) 800 227 2648
Fax : (1) 970 461 3920

Hach Ultra Analytics china

sales@water-analyzers.com
tel. ++86 519 85115301
fax ++86 519 85121958

This publication is not intended to form
the basis of a contract and the
company reserves the right to amend
the design and specifications of the
instruments without notice.



www.water-analyzers.com

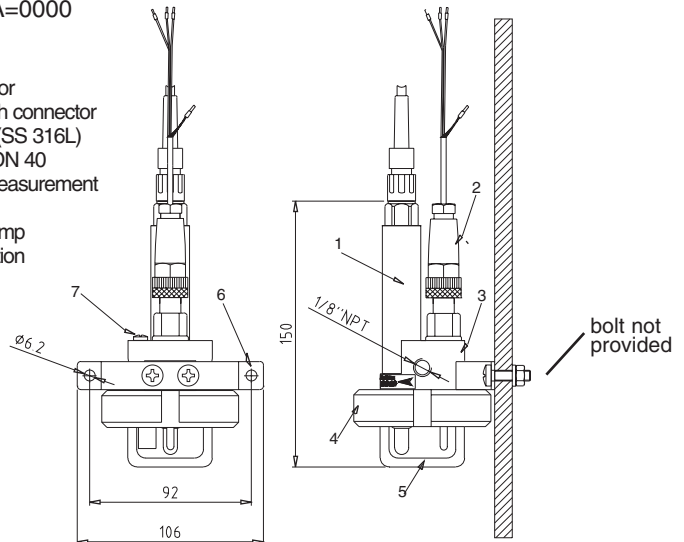
Hach Ultra Analytics china

sales@water-analyzers.com
tel. ++86 519 85115301
fax ++86 519 85121958

Specifications

Model 8362
Part number 08362=A=0000
Dimensions in mm

- 1 - pH sensor with connector
- 2 - Temperature sensor with connector
- 3 - Flow through chamber (SS 316L)
- 4 - Stainless steel nut DIN DN 40
- 5 - Unscrewable PMMA measurement chamber (V 30 ml)
- 6 - Stainless steel fixing clamp
- 7 - Screw for earth connection



* 1/8" NPT fittings not provided

Sample	Flow rate	Range : 100 to 400 ml/min - Ideal : 150 ml/min
	Pressure	Maximum : 60 psi (4 bar) The outlet must be at atmospheric pressure
Material	Mounting	Sample : 1/8" NPT
	Measurement chamber	electropolished 316 L stainless steel and PMMA (polymethyl metacrylate) Weight : 1,984 lbs (900 g)
	pH electrode	body in 316 L stainless steel
Measuring range	Temperature sensor	Pt 100, grade A (+/- 0,15°C)
	pH	2-12
Spare parts	Temperature	0°C - 80 °C (32°F - 176°F) (t90 < 20s)
	Repeatability	< 0,01 pH / 24 H
	Accuracy	0,05 pH for conductivity above 0,1 µS/cm 0,1 pH for conductivity below 0,1 µS/cm
	pH electrode	08362=A=2000
Calibration	Temp. sensor	08362=A=1001
	1/8" NPT fittings	08362=A=4000 (2 SS fittings kit for tube DN 4/6)
	PMMA chamber	08362=C=4000
	Cable	The system is delivered with a 3 m cable for pH and temperature. Other available length : Temperature 10 m 08362=A=3002 Cable 20 m 08362=A=3003 pH Cable 10 m 359016,10120 20 m 359016,10122
	Solutions	Average frequency : monthly Buffer solution volume = 30 ml
Buffer		NIST (4; 6.88; 9.22) or DIN (4; 7; 9 or 10) can be used
	We provide	pH4 363130,00500
	NIST solutions (500 ml)	pH6.88 363131,00500 pH9.22 363132,00500