

# Compact probe Model 8370 For on-line pH measurements



## Advantages

- Suitable with any standard gel-filled combined electrode
- Electrode completely protected
- All wetted parts in stainless steel
- Mounting on a standard bushing
- Biologically safe

## Applications

- On-line measurement in process
- Measurement on reactors in biotechnology
- Food industry
- Water treatment

data sheet

## Polymetron SA International Headquarters

33, rue du Ballon  
93165 Noisy-le-Grand cedex  
France  
Tel : (33) 1 48 15 80 80  
Fax : (33) 1 48 15 80 00  
info@polymetron.com

### Belgium

Lange Group  
Ragheno Business Center 2  
Motstraat 54  
B-2800 Mechelen  
Tel. : (32) 15 42 35 00  
Fax : (32) 15 41 61 20

### Germany

Dr Bruno Lange GmbH  
& Co. KG  
Prozeß-Meßgeräte /  
Polymetron  
Willstätterstrasse 11  
D-40549 Düsseldorf  
Tel. : +49 211-5288 156  
Fax : +49 211 5288 171

### India

Forbes  
A 34/35, MIDC Estate  
"H" Block  
Pimpri, Pune 411 018  
Tel. : (91) 212-770-171  
Fax : (91) 212-777-049

### Italy

Dr Bruno Lange srl  
Via Riccione, 14  
20156 Milano MI  
Tel. : (39) 02 39 23 14 1  
Fax : (39) 02 39 23 14 39

### Netherlands

Lange Group  
Laan van Westroijen 2a  
NL-4003 AZ Tiel  
Tel. : (31) 344 63 11 30  
Fax : (31) 344 63 11 50

### Spain

Neurtek M.A.  
Lange Group  
C/ Araba 45  
Apdo. 220  
Zarautz 20800  
Tel. : (34) 943 89 43 79  
Fax : (34) 943 130 241

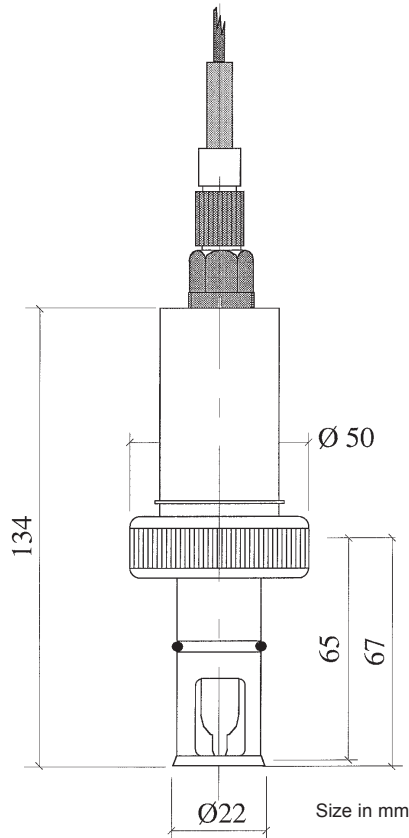
### United Kingdom

Dr Lange (UK) Ltd  
Lennox Rd  
Basingstoke, Hampshire  
RG22 4AP  
Tel. : (44) 1 256 33 3403  
Fax : (44) 1 256 633 0724

### USA

Astro / Polymetron  
Associated with Hach Co.  
P.O. Box 389  
Loveland, Colorado  
USA 80539-0389  
Tel. : (1) 800 227 2648  
Fax : (1) 970 461 3920

## Specifications



### Probe

P.N.: 08370=A=0000

- Pmax. = 600 kPa (6 bar)
- Tmax. = 110°C (230°F)
- Main wetted parts in stainless steel (DIN 1.4571)
- O – rings:  
FPM on standard  
EPDM on request
- Insertion depth: 67 mm
- Fixing bolt G 1 1/4"

### Electrode

MODEL 8416 B

P.N.: 368416,00000

- Pmax. = 600 kPa (6 bar)
- Tmax. = 110°C (230°F)
- Range = 2–12 pH
- Reference: Ag/AgCl
- Connection: AS9 sockets

www.polymetron.com

This publication is not intended to form the basis of a contract and the company reserves the right to amend the design and specifications of the instruments without notice.

Distributor

TE 8370=A=100 - Rev. D - FR. 50622048726

## Accessories

REFERENCE	DESIGNATION
08380=A=1000	Threaded bushing G 1 1/4" to be welded; L=40 mm
08380=A=2000	Threaded bushing G 1 1/4" to be welded; L=40 mm, at 15° angle
08380=A=3000	Obturator for bushing
08370=A=4000	Replacement set O-rings/EPDM
08370=A=5000	Replacement set O-rings/FPM
359016,10110	3 m AS9 cable
359016,10120	10 m AS9 cable
359016,10122	20 m AS9 cable

VITON® is a registered trademark of E.I. DUPONT DE NEMOURS and Co.



Hach Ultra Analytics china

sales@water-analyzers.com

tel. ++86 519 85115301

fax ++86 519 85121958