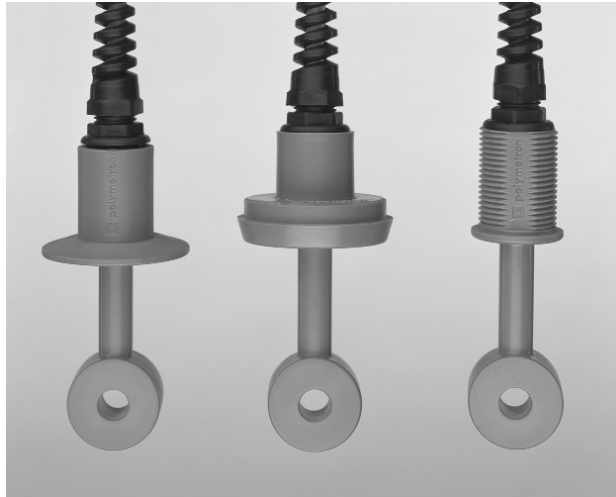


Inductive Conductivity probes Model 8398



Applications

Corrosive and fouling applications: conductivity, concentration measurements

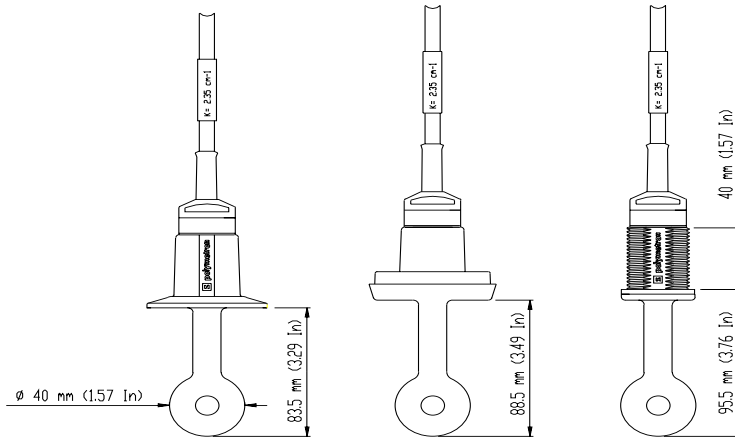
- Accurate interface control for the "clean in place" processes in food and pharmaceutical industries
- Determination of solution concentrations for "clean in place" processes, resin regeneration in water treatment plants, caustic metal cleaning processes.
- Waste water stream control in municipal waste water treatment plants and many other industries

Features

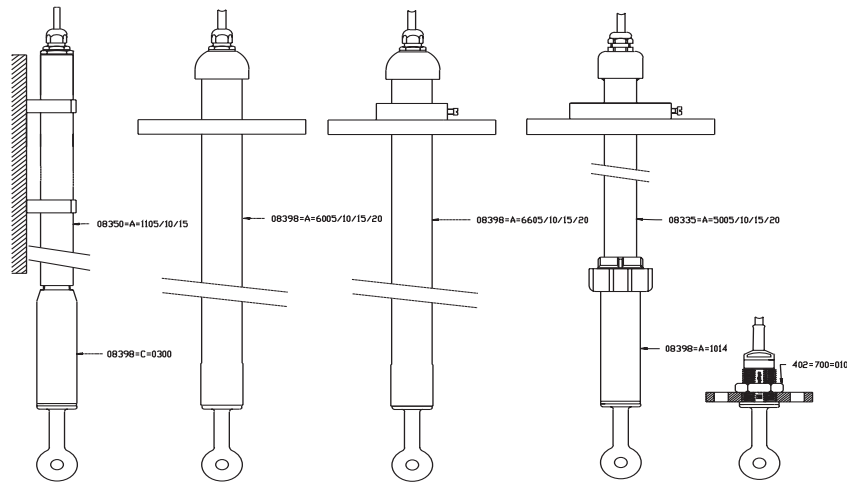
- High chemical and mechanical resistance
- Accuracy over a wide measuring range
- Perfect compact sanitary design for 2"/DN50 access port in compliance with 3A standards
- Maintenance free: No electrode damage, no polarisation effect
- Versatile mounting options: flow-through adapters and chambers, immersion shafts.

data sheet

8398 probes



Immersion application (08398=A=5000)



Immersion shafts available

Part Number	Material	length	Specifications	PVC flange type	Adaptor needed
08335=A=5005	PP	0.5m	DN65	Adjustable	08398=A=1014
08335=A=5010	PP	1m	DN65	Adjustable	08398=A=1014
08335=A=5015	PP	1.5m	DN65	Adjustable	08398=A=1014
08335=A=5020	PP	2m	DN65	Adjustable	08398=A=1014
08398=A=6005	PP	0.5m	DN50	Fixed	none
08398=A=6010	PP	1m	DN50	Fixed	none
08398=A=6015	PP	1.5m	DN50	Fixed	none
08398=A=6020	PP	2m	DN50	Fixed	none
08350=A=1105	PP	0.5m	DN32	Clips	08398=C=0300
08350=A=1110	PP	1m	DN32	Clips	08398=C=0300
08350=A=1115	PP	1.5m	DN32	Clips	08398=C=0300
08398=A=6605	PP	0.5m	DN50	Adjustable	None
08398=A=6610	PP	1m	DN50	Adjustable	None
08398=A=6615	PP	1.5m	DN50	Adjustable	None
08398=A=6620	PP	2m	DN50	Adjustable	None
08878=A=1500	SS	1.5m	DN32	No	08398=C=0500
08878=C=1500	SS	1.5m	extension	-	-
08878=A=1600	SS	-	Probe holder	-	-

**FOOD INDUSTRIES
PHARMACEUTICAL INDUSTRIES
CLAMP VERSION**

**FOOD INDUSTRIES
OTHER INDUSTRIES
DIN VERSION**

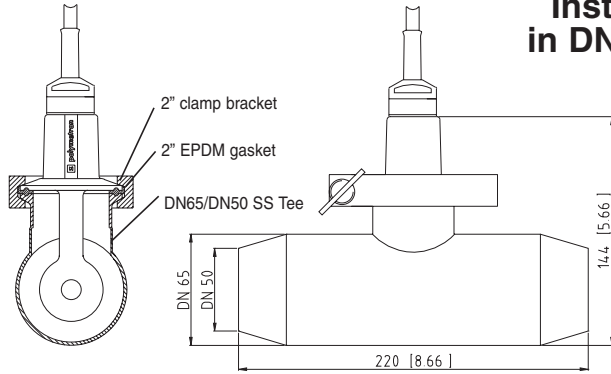
Welding stainless steel ferrule kit
EPDM gasket clamp
08398=A=0510

**Installation
in any pipe**

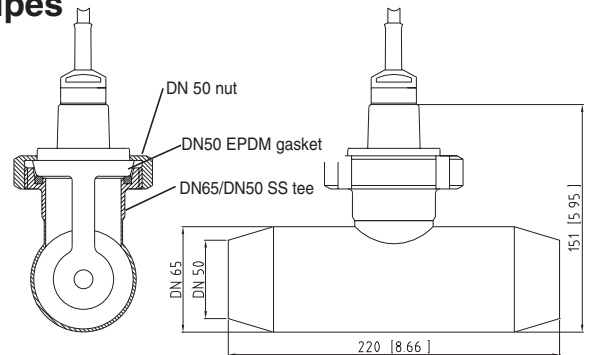
welding ferrule kit, gasket
(EPDM or VITON), SS nut and
08398=A=0500
08398=A=5310
08398=A=5320
08398=A=5330

ferrule
SS
PVC
PP
PVDF

**Installation
in DN50 pipes**

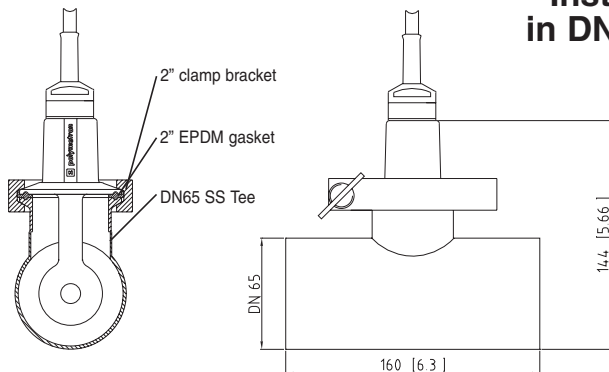


08398=A=7000

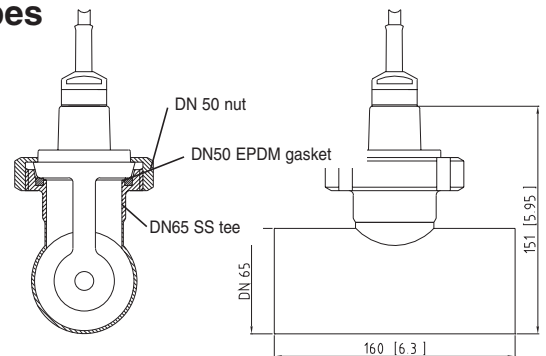


08398=A=6000

**Installation
in DN65 pipes**

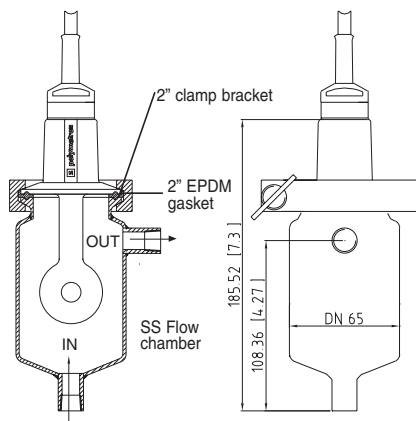


08398=A=7500

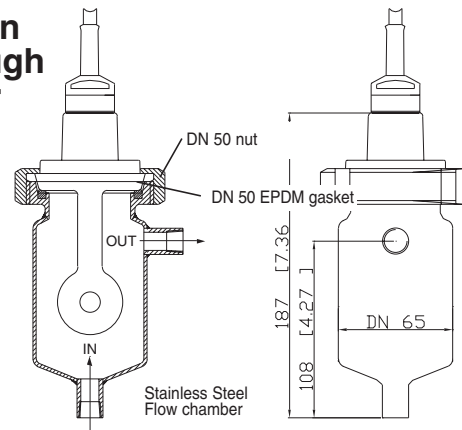


08398=A=6500

**Installation
in flow-trough
chamber**



08398=A=8200



08398=A=8300
08398=A=8310*
08398=A=8320*
08398=A=8330*

SS
PVC
PP
PVDF

*Dimensions not represented

polymetron

www.water-analyzers.com

Polymetron SA International Headquarters

33, rue du Ballon
93165 Noisy-le-Grand cedex
France
Tel : (33) 1 48 15 80 80
Fax : (33) 1 48 15 80 00
info@polymetron.com

Belgium

Lange Group bvba
Ragheno Business Center 2
Motstraat 54
B-2800 Mechelen
Tel. : (32) 15 42 35 00
Fax : (32) 15 41 61 20

Germany

Dr Bruno Lange GmbH
& Co. KG
Prozeß-Meßgeräte /
Polymetron
Willstätterstrasse 11
D-40549 Düsseldorf
Tel. : +49 211-5288 156
Fax : +49 211 5288 171

India

Forbes
A 34/35, MIDC Estate
"H" Block
Pimpri, Pune 411 018
Tel. : (91) 212-770-171
Fax : (91) 212-777-049

Italy

Dr Bruno Lange srl
Via Riccione, 14
20156 Milano MI
Tel. : (39) 02 39 23 14 1
Fax : (39) 02 39 23 14 39

Netherlands

Lange Group
Laan van Westroijen 2a
NL-4003 AZ Tiel
Tel. : (31) 344 63 11 30
Fax : (31) 344 63 11 50

Spain

Lange Group
C/ Araba 45
Apdo. 220
Zarautz 20800
Tel. : (34) 943 89 43 79
Fax : (34) 943 130 241

United Kingdom

Dr Lange (UK) Ltd
Lennox Rd
Basingstoke, Hampshire
RG22 4AP
Tel. : (44) 1 256 33 3403
Fax : (44) 1 256 633 0724

USA

Astro / Polymetron
Associated with Hach Co.
P.O. Box 389
Loveland, Colorado
USA 80539-0389
Tel. : (1) 800 227 2648
Fax : (1) 970 461 3920

This publication is not intended to form the basis of a contract and the company reserves the right to amend the design and specifications of the instruments without notice.

Distributor

TE 8398=A=100 - Rev.D - FR. 50622048726



Specifications

APPLICATION	FLOW THROUGH		IMMERSION
Model Type	8398.2 2" triclamp	8398.3 DN50 (DIN 11851)	8398.5 1"G thread
Probe/cable Material/length Weight	Poly Ether Ether Ketone (PEEK) with 5m of cable 700g		
Sample Temperature Pressure	140°C (284°F) 18 bar		
Analysis Measuring range Repeatability Cell constant Response time In temperature In conductivity	0 to 2000 mS/cm < +/- 2% or +/- 0.004 mS/cm whichever is greater 2.35 < 2 mn @ t90 < 1s @ t90		
Accessories available Connexion type	2" Clamp	DN50 nut	DN20 flange or shafts
Gaskets	2" or DN50 EPDM / VITON gasket		EPDM gasket supplied in standard VITON gasket in option
Installation	316L SS : welding ferrule, Tees (DN65, DN50), Flow-through chamber conforms to 3A standards PVC, PPH, PVDF: welding ferrule, flow-through chamber		Immersion kit : PP, SS Shafts= 0.5 m, 1 m, 1.5 m, 2 m Fixation=clips, adjustable or fixed PVC flanges

VITON® is a registered trademark of E.I. DUPONT DE NEMOURS and Co.

Chemical compatibility

Chemical compatibility O: yes ; x: no	concentration %	20°C (68°F)	100°C (212°F)
Acetic acid	10	0	0
Ammonium chloride	Sat	0	0
Ammonium hydroxyde	30	0	0
Bromine/dibromoethane		x	x
Bromidric acid		x	x
Boric acid	Sat	0	0
Calcium carbonate	Sat	0	0
Calcium chloride	Sat	0	0
Calcium hydroxyde	Sat	0	0
Chromic acid		x	x
Chlorine liquid		x	x
Chloridric acid	10	0	0
Diphenylsulfone(DPS)		x	x
Ethane		x	x
Ethanol	Sat	0	0
Fluoridric acid		x	x
Formic acid		x	x
Hydrogen peroxide	30	0	0
Lactic acid	Sat	0	0
Magnesium chloride		0	0
Magnesium hydroxide	Sat	0	0
Methanol	Sat	0	0
Nitric acid	< 50 > 50	0 x	0 x
Phenol	Dilute concentrated	0 x	0 x
Phosphoric acid	< 80	0	0
Potassium chloride	Sat	0	0
Potassium hydroxide	< 70	0	0
Propanol	Sat	0	0
Sodium carbonate	Sat	0	0
Sodium chloride	Sat	0	0
Sodium hydroxyde	< 50	0	0
Sodium hypochlorite	50	0	0
Sulfuric acid	< 40 > 40	0/x x	0/xx x
Zinc chloride	50	0	0

Hach Ultra Analytics china

sales@water-analyzers.com

tel. ++86 519 85115301

fax ++86 519 85121958