

# Oxygen analyser Model 9182



data sheet

## Applications

### On-line monitoring of dissolved oxygen at ppb level in :

- High purity water
- Boiler water and condensates

## Features

- User-friendly menu-based programming
- Easy to install
- Long-life membranes pre-mounted on retaining caps to suppress any delicate membrane handling
- Two-point calibration: zero & slope
- Fast calibration procedure: from ppm level (air) to process ppb values in less than 15 minutes!
- Two smart analog outputs (measurement/temperature) with automatic recognition of the analyser status
- Four relays for high/low limits, system error and timer

# polymetron

www.water-analyzers.com

**Hach Ultra Analytics china**

sales@water-analyzers.com

tel. ++86 519 85115301

fax ++86 519 85121958

**Headquarters:**

6, route de Compois

C.P. 212

CH1222 Vézenaz, Geneva

Switzerland

Tel. +41 22 855 91 00

Fax +41 22 855 91 99

salesinfo@hachultra.com

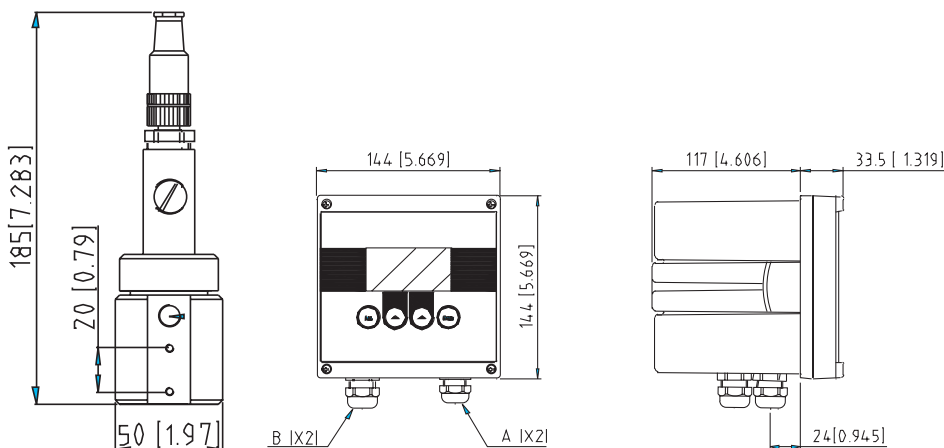


EXCELLENCE IN PROCESS ANALYTICS

www.hachultra.com

*This publication is not intended to form the basis of a contract and the company reserves the right to amend the design and specifications of the instruments without notice.*

Distributor



Dimensions in mm [in]

## Specifications

Sample	Temperature Pressure	0–45°C, 32–113°F Outlet at atmosphere pressure
Connection	Sample Drain Mains Transmitter–electrode Weight	1/4"NPT – 4/6 mm stainless steel tubing advised 1/4"NPT – 6/8 mm tubing advised 90–265VAC, 50/60Hz, ~25VA 10 m long cable (33ft) 10 kg (22 lbs)
Analysis	Measuring range  Repeatability Sensitivity Response time (t=90%) Ambient temperature Calibration	Freely programmable within the range 0–2000 ppb (0–9999 ppb when calibrating in air) ± 0.5 ppb or ± 5% whichever is greater < 0.5 ppb For step change 1–40 ppb: < 30s. –20 to 60°C, –4 to 140°F Zero: electrically or with oxygen free water Slope: in air or process using a laboratory reference value
Transmitter	Enclosure protection Mounting EEC standards Analog outputs  Status information  Relay outputs  Temperature compensation	IP65 / NEMA 4X On wall, panel or tube (2" max.) EN50081, EN50082 (EMC) and IEC61010 (low voltage) Two 0/4–20 mA fully programmable, 800 Ohms load max. - one for the measurement (linear or dual range) and one for the temperature (linear), - or two for the measure (linear or dual range) 4/20 mA outputs programmable to a value between 0 and 21mA during calibration or when system alarm is activated. 4 dry contacts NO/NC (250VAC, 3A/30VDC, 0.5A max. ohmic load) for: - high/low limits (programmable delay and hysteresis), - system alarm with manual or automatic reset, - timer (programmable frequency and sequence). Automatic within the range 0–45°C (32–113°F)
Options	RS485 Profibus DP	300–9600 bauds, 32 stations max., JBUS/MODBUS. 9.6 Kbit/s to 12 Mbit/s, 127 stations max. (with repeater).
Material	Electrodes Membrane Sensor body Flow-through cell	Gold cathode/Silver anode PFA Noryl Stainless steel 316L
Maintenance	Every month  Every 6 months	Visually inspect the cell (clean if required). Calibrate Change electrolyte and membrane

**Hach Ultra Analytics china**

sales@water-analyzers.com

tel. ++86 519 85115301

fax ++86 519 85121958